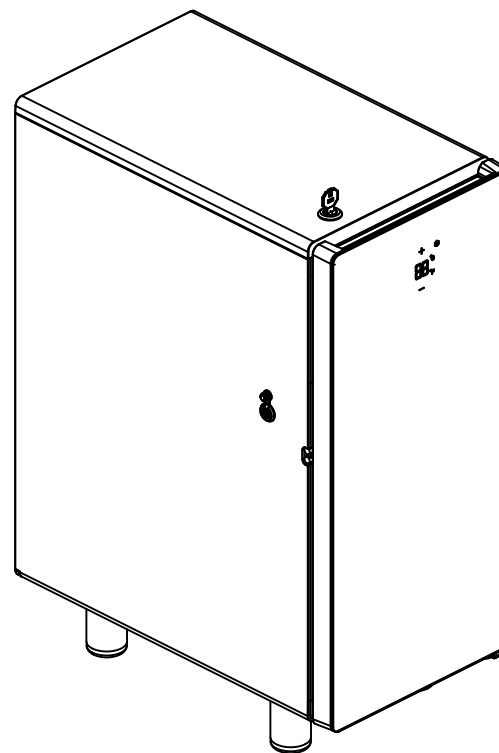


# SC10

## Explosive view

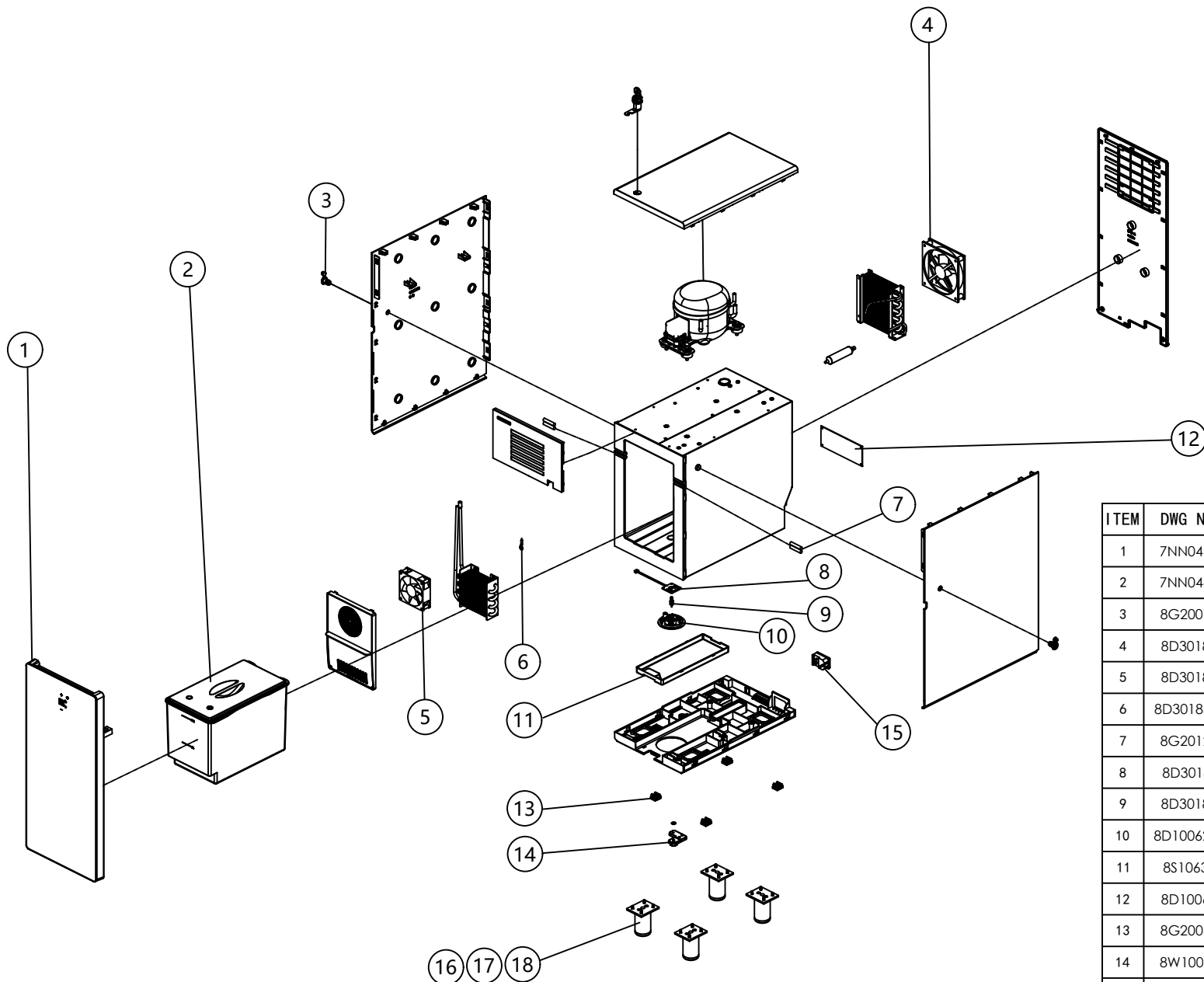
---

ISSUE: 01

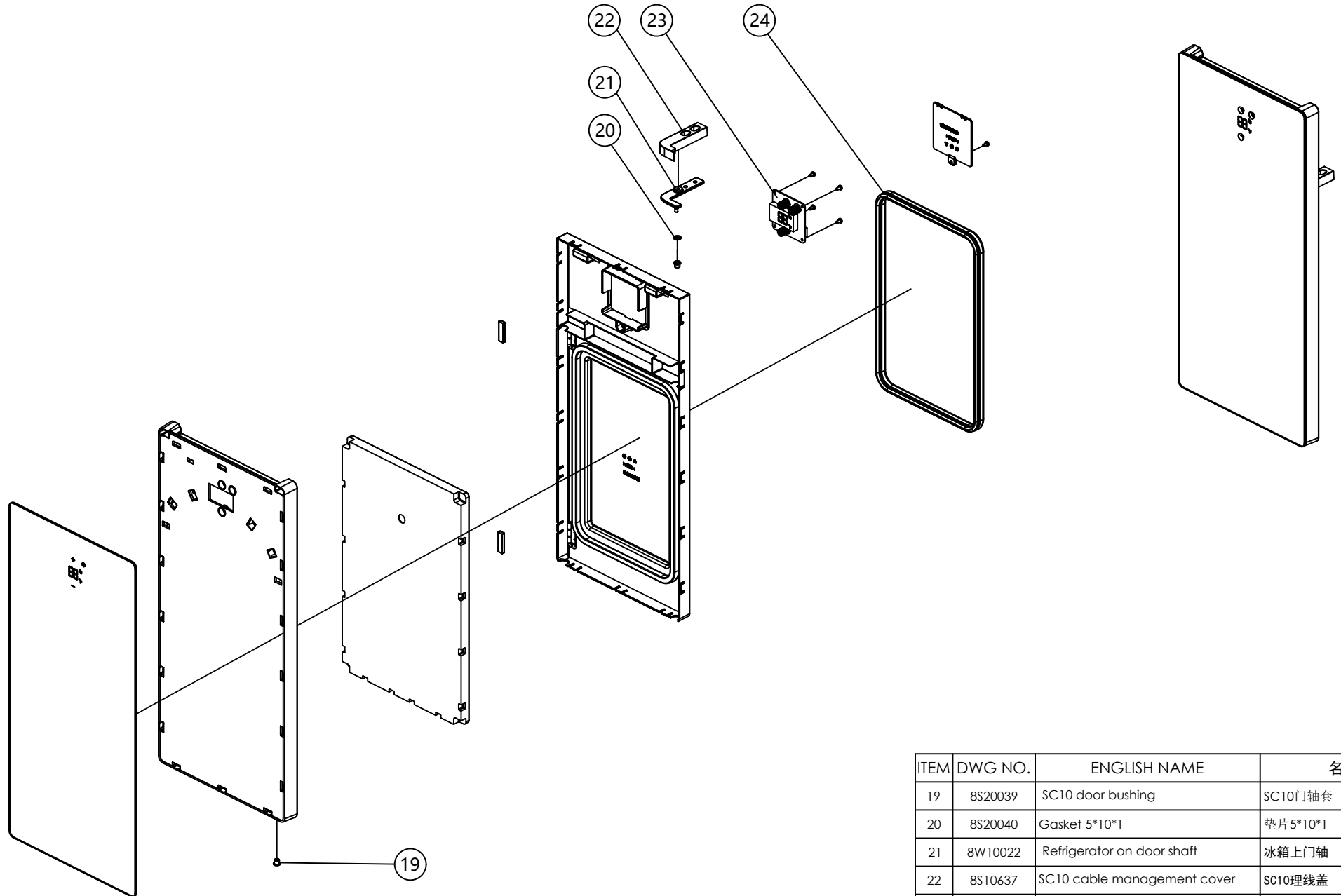


# Content

Appearance group.....	.01
Door Assembly.....	.02
Milk Box Assembly.....	.03

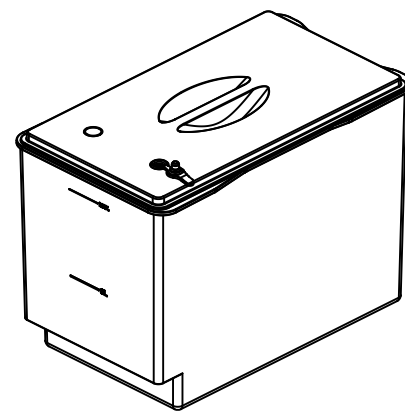
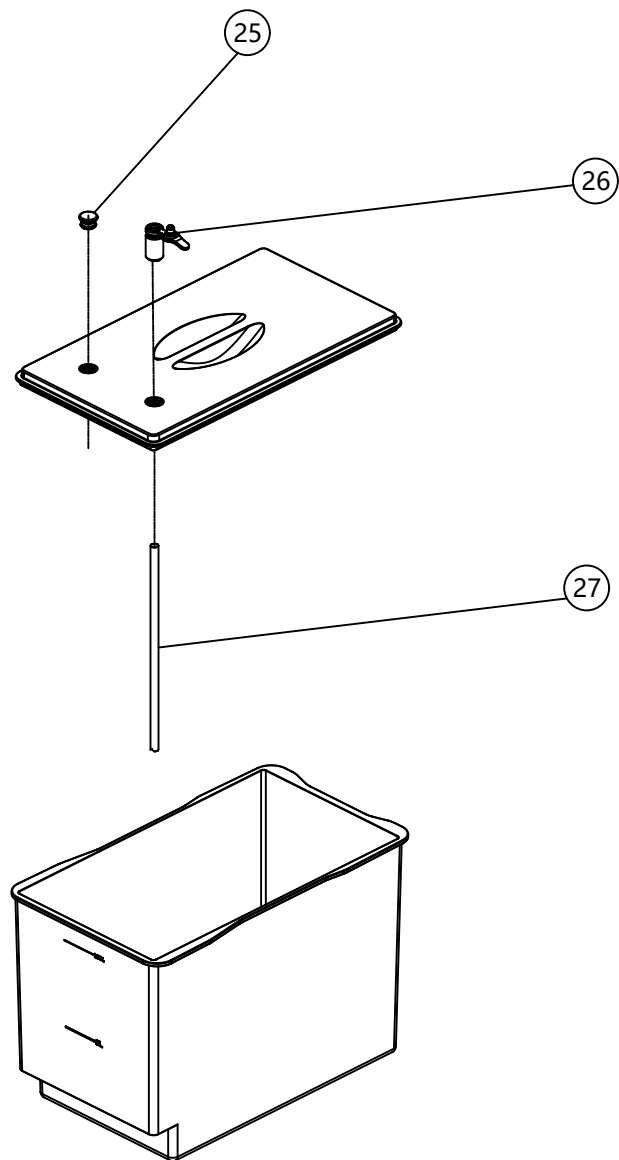


ITEM	DWG NO.	ENGLISH NAME	名称
1	7NN0463	SC10 Door Assembly	SC10门组
2	7NN0464	SC10 Milk Box Assembly	SC10奶箱组
3	8G20074	Milk pipe plug	SC10奶管塞
4	8D30188	SC10 Cooling Fan	SC10散热风扇
5	8D30184	SC10 Air Cooling Fan	SC10风冷风扇
6	8D30185R1	NTC	蒸发器温度NTC
7	8G20124	SC10 silicone seal	SC10硅胶密封条
8	8D30181	Load cells	称重传感器
9	8D30183	SC10 milk temperature detection NTC	SC10奶温检测NTC
10	8D10062V1	SC10 weighing adapter plate	SC10称重转接板
11	8S10639	SC10 water storage tray	SC10蓄水盘
12	8D10060	SC10 Main Control Board	SC10主控板
13	8G20016	Foot mats	脚垫
14	8W10023	Lower Door Shaft	冰箱下门轴
15	8D30047V1	Socket - F11	插座-F11
16	7NN1505	High foot assembly --- height 100	高支脚组件---高度100
17	7NN1506	High foot assembly --- height 70	高支脚组件---高度70
18	7NN1507	High foot assembly --- height 60	高支脚组件---高度60



ITEM	DWG NO.	ENGLISH NAME	名称
19	8S20039	SC10 door bushing	SC10门轴套
20	8S20040	Gasket 5*10*1	垫片5*10*1
21	8W10022	Refrigerator on door shaft	冰箱上门轴
22	8S10637	SC10 cable management cover	SC10理线盖
23	8D10061	SC10 main control board	SC10主控板
24	8G20124	SC10 refrigerator door seal	SC10冰箱门封条





ITEM	DWG NO.	ENGLISH NAME	名称
25	8G20104	SC10 Milk Tank Cap Silicone Stopper	SC10奶箱盖硅胶塞
26	8G10107	The teat cup lid adapter is sealed	奶杯盖转接头带密封
27	8W40075	SC10 stainless steel milk pipe	SC10不锈钢奶管